

POLYCARBONATE ENCLOSURES

NEMA 4X
Environment rating for
STI 7520 & STI 7521 Only

HAS THE DEFIBRILLATOR ENCLOSURE PREVENTED MISUSE?

We purchased STI 7535 AED wall cabinets to protect Public Access Defibrillators located in Warsaw Airport. What we liked about the product is the quality and smart design. The strobe/alarm facility activates the moment the cabinet is opened drawing immediate attention. This helps prevent accidental and unwanted usage of such an important and possibly dangerous device as a defibrillator.

Rafal Brzyski – Director of Operations
Paramedica Polska Sp. z o.o.



FEATURES

- Clear tough polycarbonate enclosure
- Includes thumb lock or key lock
- Additional eyelet allows use of a secondary safety seal or padlock
- Extra large enclosure (STI-7550) is fitted with two rotary action latches with additional eyelets
- External mounting tabs
- Complete with mounting accessories and gasket
- Tamperproof mounting screws available
- Optional security alarm or sounder/strobe device deters unauthorised access
- Supplied with coated steel internal mounting backplate as standard
- Optional adjustable wire shelf (STI 7530/7531)
- Polycarbonate tested -40°F (-40°C) to 120°F (49°C)
- Lifetime guarantee against breakage in normal use

▼ Polycarbonate Enclosures dimensions and technical information
(STI 7520/7521, STI 7530/7531 & STI 7550/7551)

STI POLYCARBONATE ENCLOSURES

A range of multipurpose transparent polycarbonate enclosures has been designed for the protection of fire and security control panels and other electronic equipment. Combining a tough rugged construction with stylish design, the range offers excellent protection for a wide range of different equipment. The enclosures offer protection from vandalism, accidental damage and the environment whilst ensuring all-round visibility and immediate access.

External mounting tabs allow the enclosures to be easily installed on to any wall surface, providing protection without the need to change the location of the equipment. Complete mounting accessories and tamperproof screws are provided.

For additional security and to deter misuse or theft, the enclosures can be fitted with a security alarm or sounder/strobe device.

The polycarbonate is backed by a lifetime guarantee against breakage and damage under normal conditions.

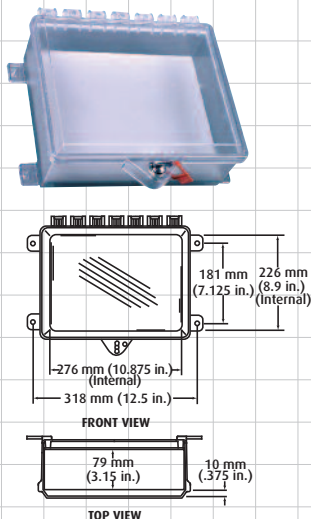
MODELS AVAILABLE

- STI 7520** Weatherproof clear polycarbonate enclosure with key lock
- STI 7521** Weatherproof clear polycarbonate enclosure with thumb lock
- STI 7522** As STI 7520 but with audible security device
- STI 7523** As STI 7521 but with audible security device
- STI 7530** Clear polycarbonate enclosure with key lock
- STI 7531** Clear polycarbonate enclosure with thumb lock
- STI 7532** As STI 7530 but with audible security device
- STI 7533** As STI 7531 but with audible security device
- STI 7533AED** As STI 7531 but with wire shelf and audible security device
- STI 7535AED** As STI 7531 but with wire shelf and sounder/strobe device
- STI 7550** Extra large polycarbonate enclosure with key lock
- STI 7551** Extra large polycarbonate enclosure with thumb lock
- STI 7552** As STI 7550 but with audible security device
- STI 7553** As STI 7551 but with audible security device

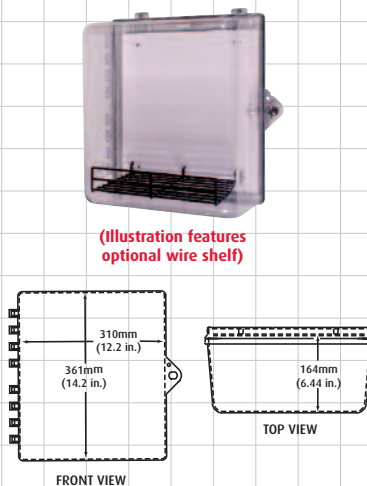
ACCESSORIES

- STI 7530WR** Wire shelf for STI 7530/31/32/33
(Already included with the STI 7533AED & STI 7535AED)

STI 7520/7521



STI 7530/7531



STI 7550/7551

